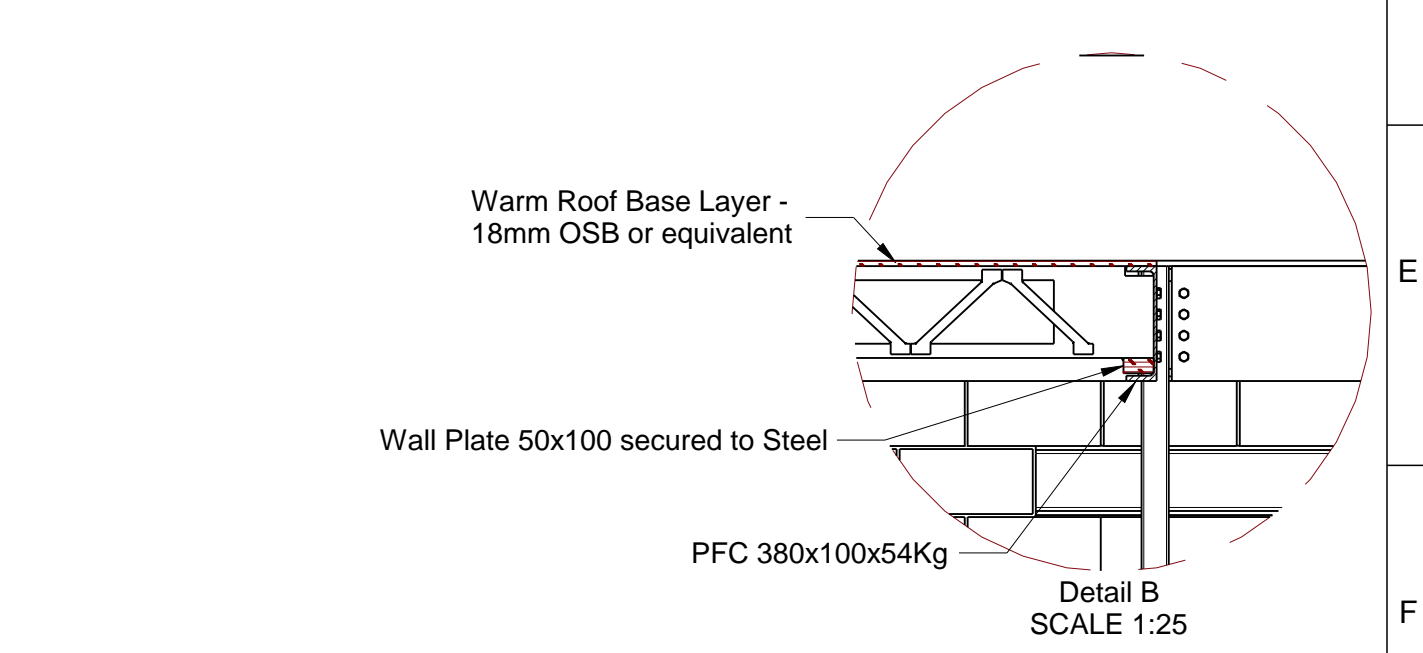
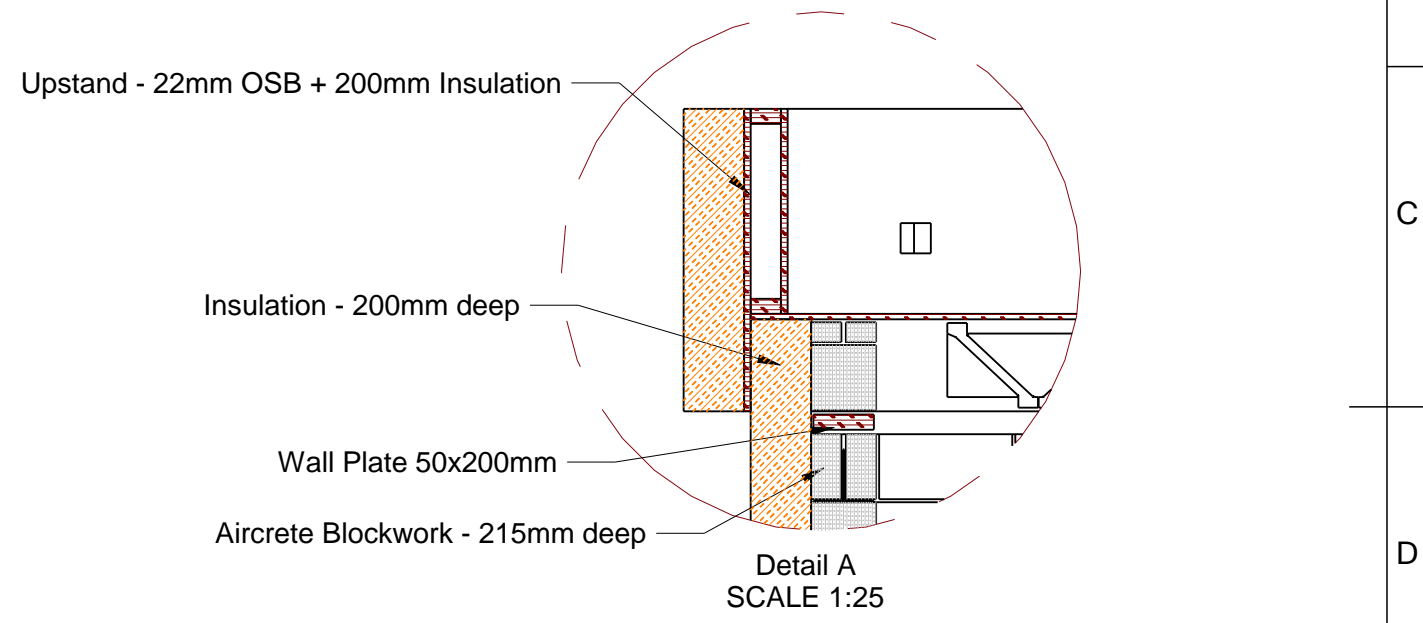


Section A-A  
SCALE 1:120



Detail B  
SCALE 1:25

**Roof Joists**  
 Pozi-Style Joists - 304x72mm  
 All materials to be Fire Retardant treated to 30 minute minimum  
 Roof Joists spaced at 600mm centres  
 Outside end rests on Wall plate secured to Blockwork Wall inside Insulation  
 Inside end rests within PFC Steel level with top flange  
 Strongbacks will be required at half span  
 Fixing of Joists to be determined

Revision History			Units: mm	Third Angle Projection	Rev No.: 2B	Date: 28/06/2018	Title: Roof Joists
Rev No.	Date	Changes	Scale: @A3		Drawn: JES	Checked: <chk>	Drawing Number: H100-RJ-01
1A	09/04/2018	New Drawing	Sheet: 1 of 1	A3	Revision note: Updated notes		
1B	17/04/2018	Updated Model					
2A	02/05/2018	Upstand change					